

# VersaTrax™

## I-Series

Unmatched Performance. Extra Small Form Factor.



# LOW PROFILE. HIGH CAPABILITY.

Access areas that are simply inaccessible with other technologies.

## Remote Visual Inspection and more

VersaTrax™ I-Series inspection crawlers can navigate pipes and openings as small as 51mm (2in) in diameter. For that particular application, the VersaTrax can venture over 100m (330ft) in range, but other versions can travel up to 1km (0.6mi).

Using our VersaTrax architecture and unique track design, the I-Series allows you to inspect places where you couldn't reach otherwise giving you access to valuable information about the asset under remote visual inspection.

The VersaTrax can be used as part of a regular maintenance and monitoring operation and also troubleshoot a problem quickly in the case of an emergency. Any owner or service provider required to perform remote visual inspections in confined spaces with limited access need to add the VersaTrax as an essential part of their NDT RVI toolkit.

## Industries

- Petrochemical
- Oil & Gas
- Nuclear
- Mining
- Municipal
- Water

## Applications

- HVAC lines
- Heat exchangers
- Coiled tubing
- Drilled riser auxiliary lines
- Small piping
- Water lines



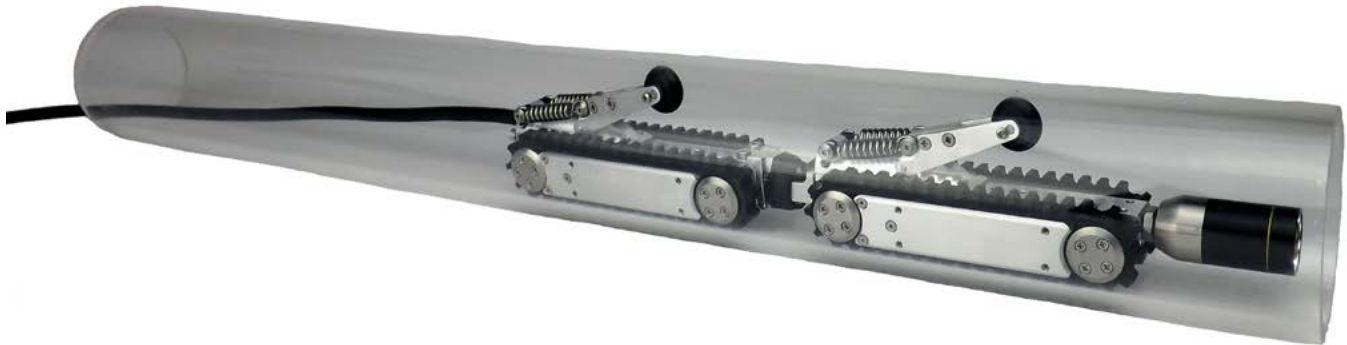
# TIGHT SPACE APPLICATIONS THE RIGHT PLACE FOR VERSATRAX.

VersaTrax™ inspection systems offer a variety of configurations that can tackle almost any confined space inspection application.

## Dedicated pipe crawler

The VersaTrax crawlers are designed to travel a long distance in small to medium diameter sized pipe. They can enter an opening as small as 51 mm (2 in) up to 305 mm (12 in).

With a 60m (200ft) depth rating, the VersaTrax family of crawlers are ideal for submerged applications or wet and humid environments. This allows for a stress-free in-service inspection or maintenance schedule.



## Live camera stream

VersaTrax crawlers are equipped with with a rugged camera that can withstand the harshest environments. Offering a super low latency video stream allows you to easily navigate around obstacles and make instant decisions while the crawler is 1km (0.6 mi) away.

Many camera options are available on the VersaTrax, ranging from full Pan, Tilt, and Zoom (PTZ) to the compact PT Spectrum camera.

## Simple and optimized interface

VersaTrax utilizes Eddyfi Technologies ICON software. Whichever crawler the operator uses, the software interface stays the same, allowing you to reduce the amount of time spent training and flattening the learning curve.

Software features include automated routines, video recording, tagging, screenshots, job recording, reporting, and more.

**Talk to our experts to discuss which robotic crawler is best suited for your application.**

# SPECIFICATIONS

DESCRIPTION	VT-I50	VT-I100	VT-I150
Pipe opening range	50-102mm (2-4in)	100-150mm (4-6in)	150-318mm (5.9-12.5in)
Maximum tether length	100m (330ft)***	300m (1000ft)	1000m (3300ft)
Maximum speed	1.9m (6.1ft) per minute	9m (30ft) per minute	6.4m (20.9ft) per minute
Vehicle weight	1.1kg (2.5lb)	5kg (11lb)	45kg (100lb)
Camera	Onyx camera Optional: Spectrum 45 PT camera*	Spectrum 45 PT camera and rear auxiliary camera	Spectrum 90 PTZ camera and rear auxiliary camera Optional: Spectrum 120 HD PTZ camera and rear auxiliary camera
Controller	IC100 or IC500 portable controller	IC100 or IC500 portable controller	Rackmount controller
Lighting	LED camera lighting	LED camera lighting	LED camera lighting
Depth Rating	60m (200ft)	60m (200ft)	60m (200ft)
Operating temperature	Normal: 0°C to 45°C (32F to 113F) Limited: -10° to 45°C (14F to 113F)**	Normal: 0°C to 45°C (32F to 113F) Limited: -10° to 45°C (14F to 113F)**	Normal: 0°C to 45°C (32F to 113F) Limited: -10° to 45°C (14F to 113F)**

\* Spectrum 45 camera requires the three tracks configuration and will reduce the effective opening range to 75-100mm (3-4in)

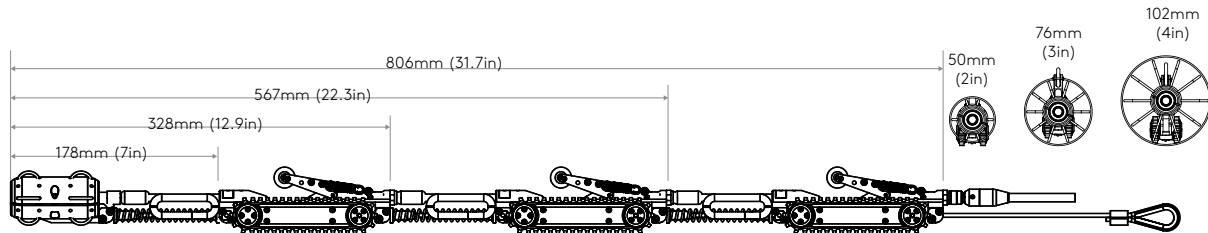
\*\* Running outside the normal operating condition for prolonged periods of time can affect system performance and reduce life expectancy of some components.

\*\*\* Max tether length requires the three-track configuration

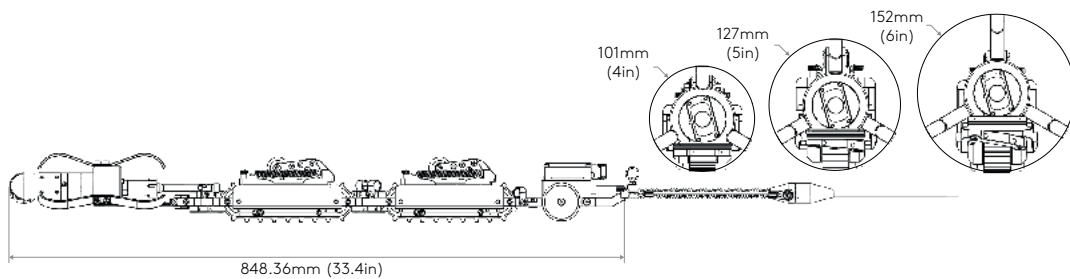
## Standard Dimensions

Units in mm (in)

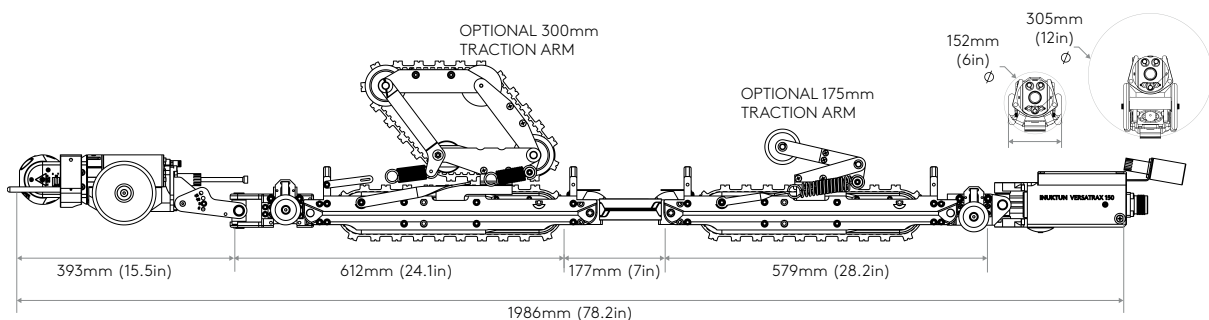
### VT-I50



### VT-I100



### VT-I150



The information in this document is accurate as of its publication. Actual products may differ from those presented herein. © 2023 Eddyfi Canada Inc. VersaTrax, Spectrum, ICON and their associated logos are trademarks or registered trademarks of Eddyfi Robotics. (wholly owned subsidiary of Eddyfi Canada Inc.) in Canada and/or other countries. Eddyfi Technologies reserves the right to change product offerings and specifications without notice. Eddyfi Technologies is a Previa Business Unit.